

GROHOD

DC INTELEGENT INVERTER AIR TO WATER HEAT PUMP

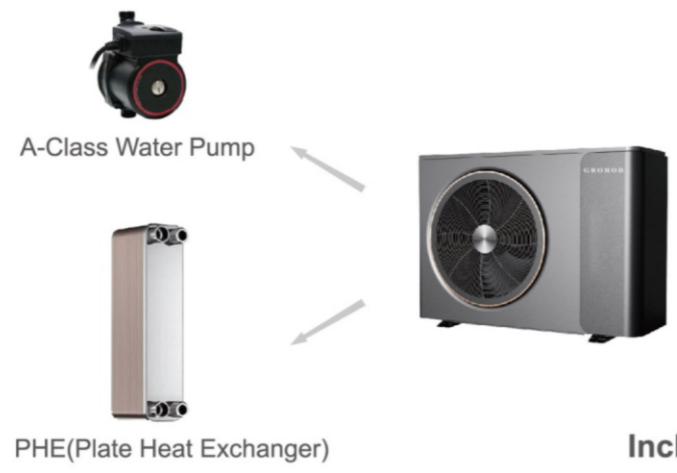




Monoblock for hydraulic work only
Simple installation
 Perfect match to your existing heating system as well as your new house.

Monoblock type

Perfect design includes all hydraulic components inside which means no third party components are required. Compact design allows for a small installation space and no need for any complicated installation like refrigerant piping work. You can easily enjoy the heating brought by DC intelligent inverter heat pump.



A+++ Energy Level

Thanks for high quality components and advanced technologies, heat pumps of DC intelligent inverter range all reach A+++ energy level with Erp test reports authorized by TUV.



GH-HP12/SL

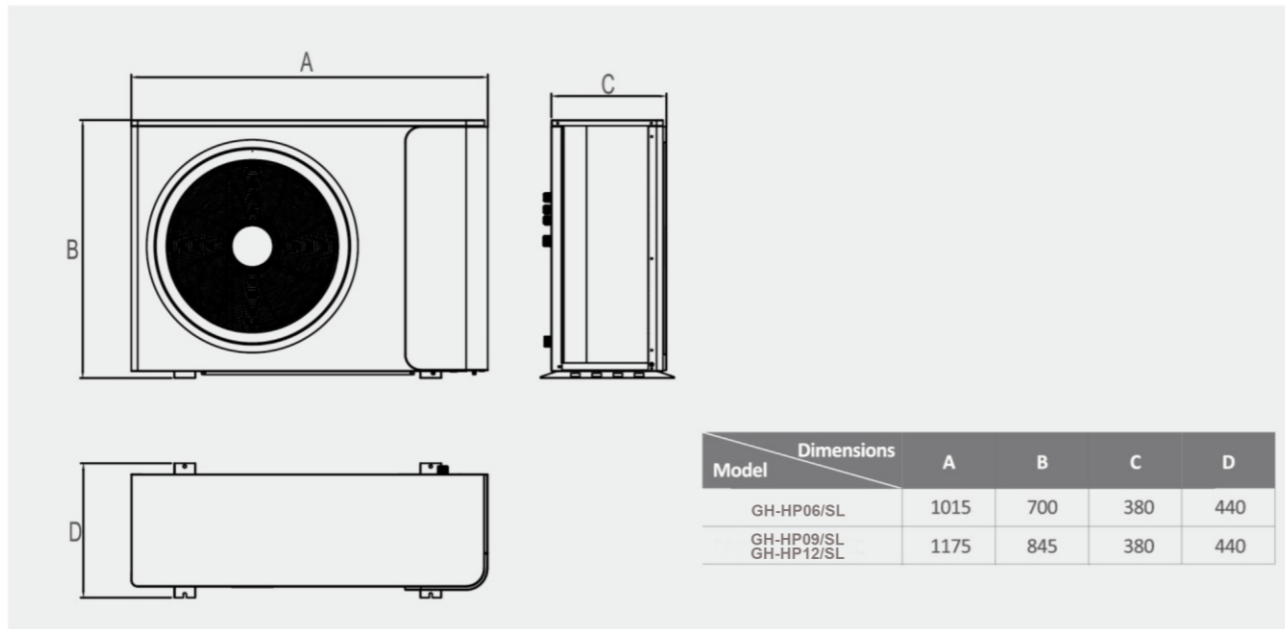
Controller: LCD
 Energy efficiency: A+++
 SCOP: 4.62
 Sound power Level: 53dB(A)
 Heating capacity: 11.9kW
 Max. Outlet Temp.: 60 C
 Working range: -25 C~43 C
 Refrigerant: R32

GH-HP09/SL

Controller: LCD
 Energy efficiency: A+++
 SCOP: 4.67
 Sound power Level: 52dB(A)
 Heating capacity: 9.7kW
 Max. Outlet Temp.: 60 C
 Working range: -25 C~43 C
 Refrigerant: R32



● Product size



● Technical Data

Unit Name			DC Intelligent Inverter	DC Intelligent Inverter	DC Intelligent Inverter
Model no.			GH-HP06/SL	GH-HP09/SL	GH-HP12/SL
IP rating	IPXX		IPX4	IPX4	IPX4
Power supply					
Power supply - Outdoor unit	Outdoor unit	V / Hz / Ph	230V/50Hz/1ph	230V/50Hz/1ph	230V/50Hz/1ph
	Fuse Outdoor unit	A	1p/ A/C	1p/ A/C	1p/ A/C
Performance					
SCOP - Average climate, low temperature		W	4.6	4.61	4.62
Energy class			A+++		
Min/max heating capacity (1)	A7/W35	kW	3.4~6.5	5.4~9.7	5.9~11.9
El. heating power input min/max (1)		kW	0.74~1.5	1.2~2.4	1.3~2.9
C.O.P min/max (1)		W/W	4.26~4.6	4.04~4.53	4.05~4.67
Min/max heating capacity (2)	A7/W35	kW	3.1~5.9	5.1~8.8	6~11.5
El. heating power input min/max (2)		kW	0.92~1.7	1.5~2.9	1.6~3.6
C.O.P min/max (2)		W/W	3.41~3.5	3.03~3.4	3.19~3.66
Min/max cooling capacity (3)	A35/W18	kW	3.1~6.5	4.2~9.1	5.1~11.3
El. cooling power input min/max (3)		kW	0.82~1.9	1.28~2.5	1.34~3.4
E.E.R. min/max (3)		W/W	3.32~3.8	3.28~3.71	3.33~3.82
Min/max cooling capacity (4)	A7/W35	kW	1.8~4.8	3.8~7.5	4.2~8.1
El. cooling power input min/max (4)		kW	0.66~2.54	1.6~2.7	1.6~3.1
E.E.R. min/max (4)		W/W	2.54~2.7	2.46~2.72	2.61~2.73
Min/max ambient temp. in heating mode			°C -25~43		
Min/max ambient temp. in cooling mode			°C 7~43		
Max flow temp. in heating mode			°C 60		
Min flow temp. in heating mode			°C 20		
Min flow temp. in cooling mode			°C 7		
Sound power level			dB (A) 52	53	53
Components					
Fan	Set	pcs	1		
	Airflow	m³/h	2500	3280	3280
	Rated power	W	32	62	62
	Blade diameter	mm	Φ455	Φ550	Φ550
Titanium tube heat exchanger	Water press. drop	kPa	22	22	26
	Piping connection	Inch	1" Inner gorse		
Refrigerant	type	/	R32		
	charge	kg	0.75	1.15	1.3
	type	/	Rotary		
Compressor	Compressor oil	type	FW68DA or equivalent		
	Comp. oil volume	L	0.45	0.65	0.65
	Compressor heater	W	30		
Hydraulics					
Minimum water flow			m³/h 0.5	0.8	1.03
Nominal water flow			m³/h 1.0	1.6	2.06
Hydraulic connections			Size 1" Inner gorse		
Dimensions and weight					
Net Dimensions (L x D x H)			mm 1015x380x700	1175x380x845	1175x380x845
Brutto Dimensions (L x D x H)			mm 1080x470x865	1245x480x1020	1245x480x1020
Net weight			kg 70	79	82
Brutto weight			kg 81	90	93
Included with the unit					
WiFi			Yes / No	Yes	
Communication cable			Yes / No	Yes	
Temperature sensors			m	20	

Note:

- (1) Heating condition: water inlet/outlet temperature: 30 °C/35 °C, Ambient temperature: DB 7 °C /WB 6 °C
- (2) Heating condition: water inlet/outlet temperature: 40 °C/45 °C, Ambient temperature: DB 7 °C /WB 6 °C
- (3) Cooling condition: water inlet/outlet temperature: 23 °C/18 °C, Ambient temperature: DB 35 °C /WB 24 °C
- (4) Cooling condition: water inlet/outlet temperature: 12 °C/7 °C, Ambient temperature: DB 35 °C /WB 24 °C
- (5) The specifications are subject to change without prior notice. For actual specifications of unit, please refer to the stickers on the unit.